



Energy-saving &  
Environmentally friendly

High quality

High efficiency



[www.armorwaycover.com](http://www.armorwaycover.com)



Telescopic cover, Oil-water filtration system expert



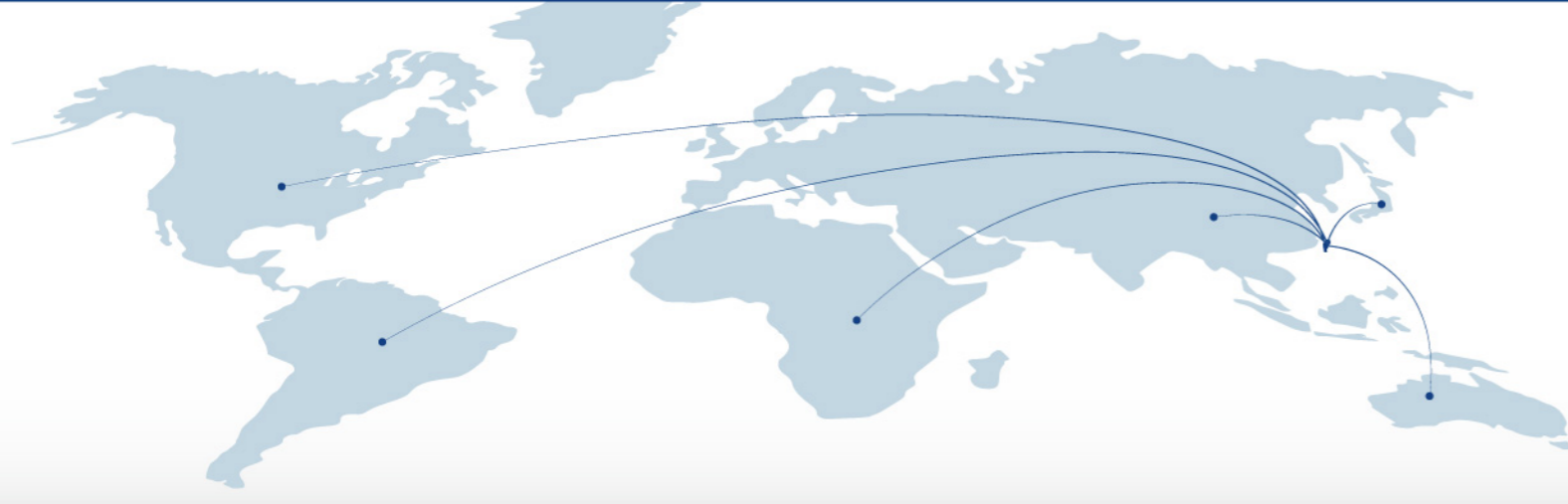
ARMORWAY PRECISION Co., LTD

No. 117-8, Housheng Rd., Shengang Dist., Taichung City 429012, Taiwan

TEL : +886-4-25613597 | FAX : +886-4-25613397

Email : [ARMORWAY@armorwaycover.com](mailto:ARMORWAY@armorwaycover.com)

## About Armorway



### The Founding of Armorway Company

Armorway Company was founded on our shared passion for mechanical technology, embodying the spirit of Japanese craftsmanship. We fearlessly embrace innovation and challenges. Our R&D team is dedicated to in-depth research and continuously innovates to enhance our capabilities, bravely facing every challenge. The entrepreneurial journey has been filled with countless trials, but our unwavering belief will ultimately lead us to success.

### Legacy and the New Generation

The core strength of our team lies in the passing of the torch to the next generation. Our General Manager, with over thirty years of experience, leads us through the challenges of the early stages of the business. Meanwhile, the younger generation injects fresh energy and creativity into the company, driving continuous professional development and technological innovation. Our spirit is one of perfection, striving to make Weizhou the benchmark for telescopic cover technology.

### Looking to the Future

We are committed to internationalization, focusing on the manufacture of key components while also working to establish a low-carbon environment to protect our shared home. We are continuously practicing ESG (Environmental, Social, and Governance) values. We believe that continuous effort and innovation will position Weizhou as the best partner for our customers.



## Telescopic Covers



### Armorway's Advantages

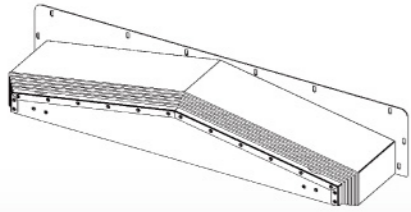
1. Ongoing Development of New Materials and Components.
2. Customization, Flexibility, Modularity, and Standardized Design.
3. Special Leak-Proof Treatment and Sheet Metal Joining Structure Design.
4. High Acceleration/Deceleration, Low Friction, Waterproof, and Intelligent Features.
5. Integration of New Steel Blade Wipers.
6. Continuous Innovation in Wiper Structure.
7. Industry-Academia Collaboration for Sustainable Product Development.



## Standard

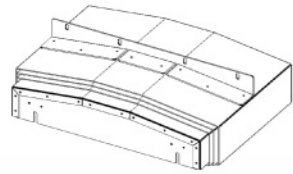
Applicable to vertical machining centers, horizontal machining centers, five-axis machining centers, and more.

### Cover Model



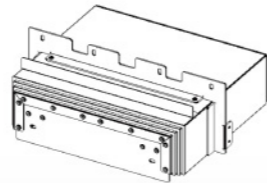
#### Mountain

Provides rigidity and two-sloped chip removal.



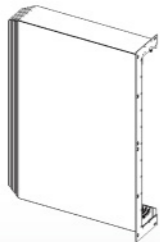
#### DB-Mountain

Suitable for wide covers, enhancing the rigidity of the protective cover.



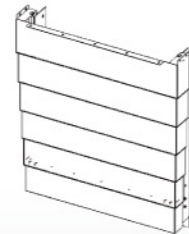
#### Flat top

Effectively protects the rail surface.



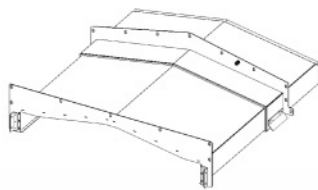
#### Hanging Type

Applicable to cross beams.



#### Vertical Flat Top

Applicable to vertical Z-axis.



#### Two-piece

Applicable to vertical Y-axis.



#### Slanting Mountain

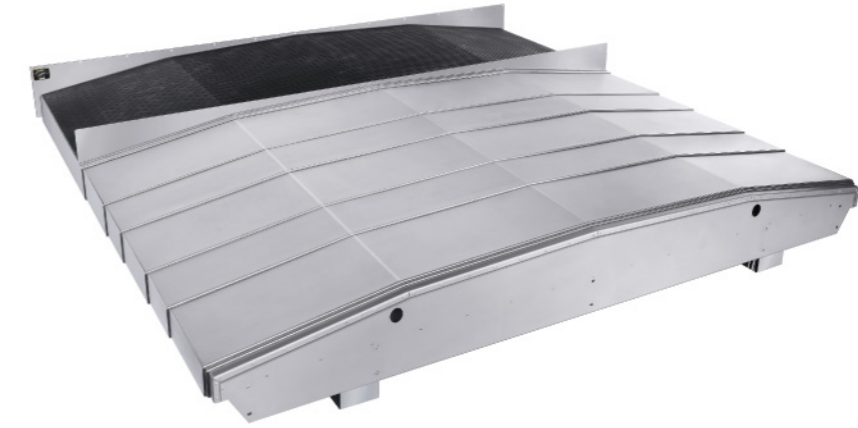
Bent edges increase rigidity and provide single-sloped chip removal.

### Features

- Designed with over 80% weld-free construction, effectively reducing heat distortion caused by welding.
- Utilizing a patented sheet metal joining structure and rivet assembly, it effectively controls tolerance issues, serving both as a component and a gauge. This design also significantly reduces carbon emissions, demonstrating our commitment to ESG values.

## Large Size

Applicable to gantry and horizontal large machine centers.



### Features

- Special structural design effectively reduces heat distortion caused by welding.
- Rivets are used to enhance structural strength, with sheet metal and wipers tightly combined, providing a waterproof effect.
- Additional folds are added based on the machine width requirements, strengthening the rigidity of the protective cover.
- The scissor mechanism can be integrated according to operating conditions, increasing support stability and smooth synchronization.

## Frame Type

Applicable to horizontal machining centers, capable of simultaneous operation in the X and Y axes.



### Features

- The protective cover design is upright, preventing the accumulation of metal chips.
- Special structural design effectively reduces heat distortion caused by welding.
- The integrated design offers high strength, making it resistant to deformation and easy to assemble.
- The split design allows for easy disassembly and maintenance, with excellent chip removal performance.

## N-Type

Applicable to the Z-axis direction of vertical and horizontal lathes.

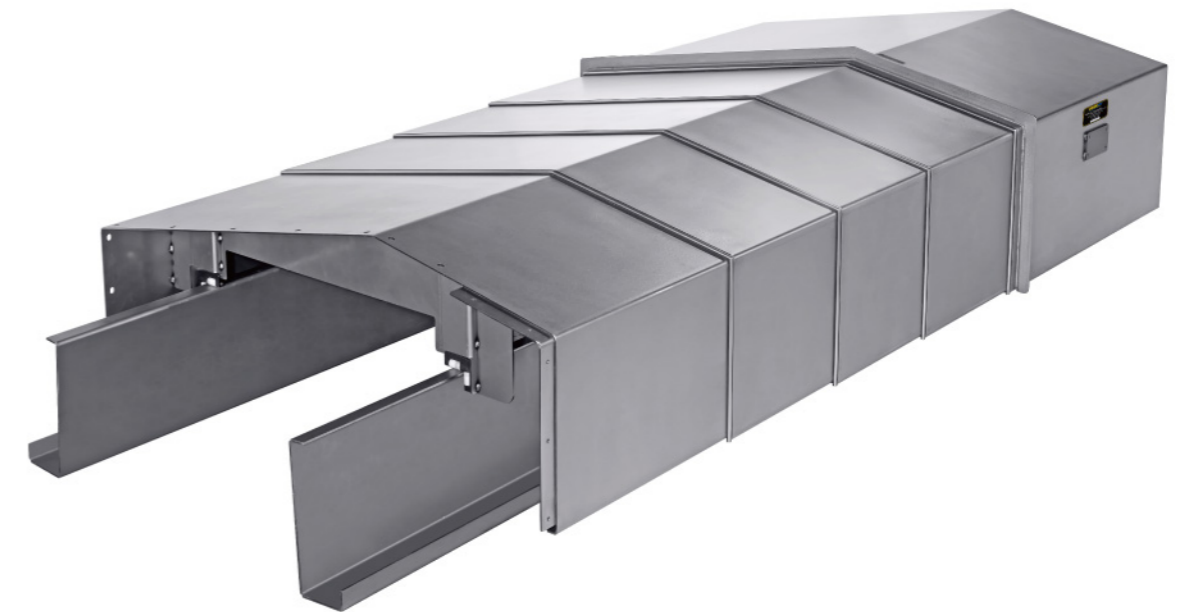


### Features

- The design patent, combined with the sliding mechanism, ensures a tight seal of the wiper on the protective cover, enhancing the waterproof effect.
- The special structural design effectively reduces heat distortion caused by welding.
- Equipped with a specialized wiper, it effectively removes chips and improves the stability of the sliding mechanism.

## Special-Type

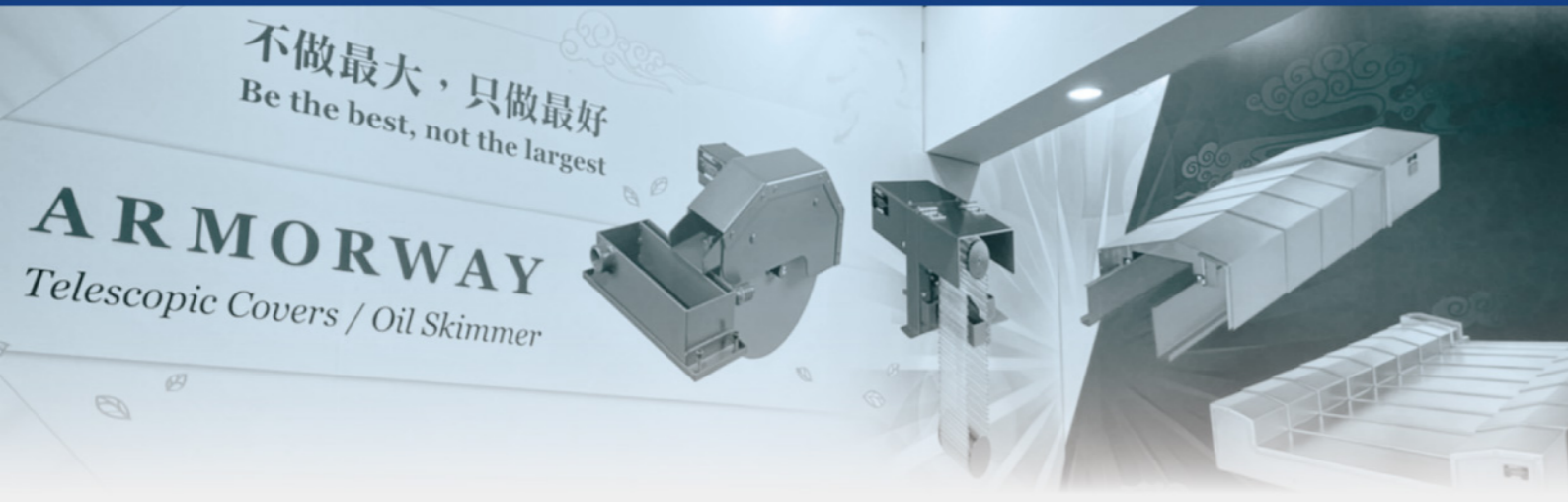
The structural design is customized according to customer requirements, offering personalized services to ensure complete coverage and waterproofing of the protective cover.



### Features

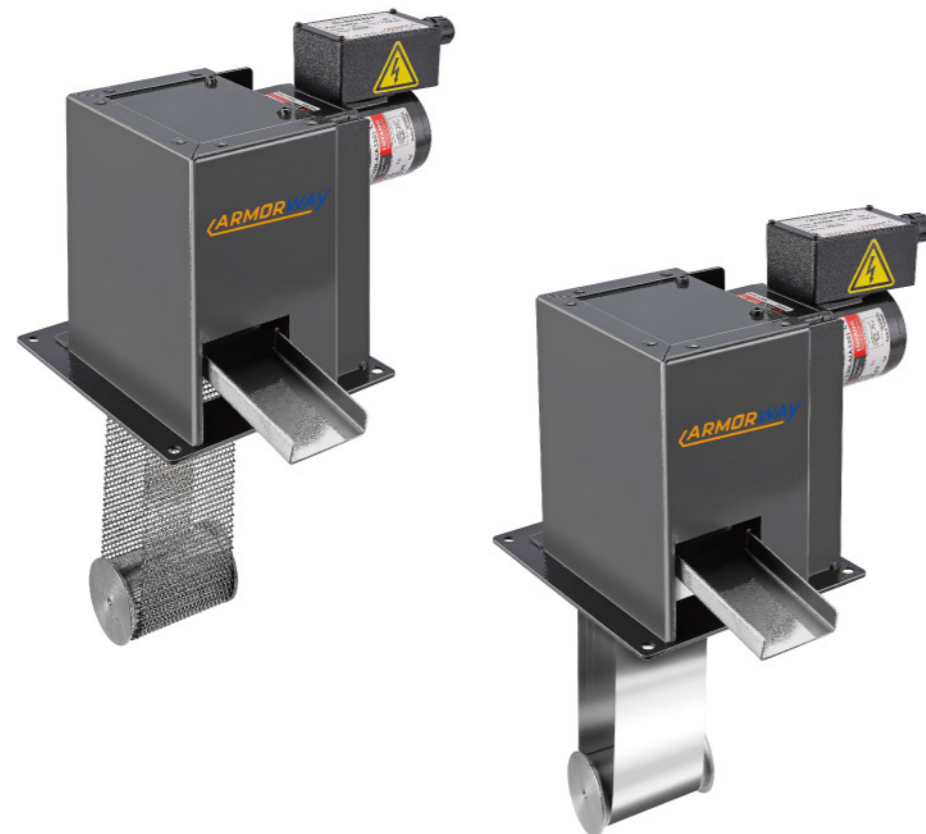
- The special structural design effectively reduces heat distortion caused by welding.
- Utilizing internal processes and sheet metal joining designs, it demonstrates stable smoothness and excellent waterproofing.
- Compatible with a scissor mechanism, it enhances synchronized movement and reduces impact noise.
- With the integration of a specialized wiper and the ability to develop design solutions, the performance of the protective cover is significantly improved.

## Oil Skimmer

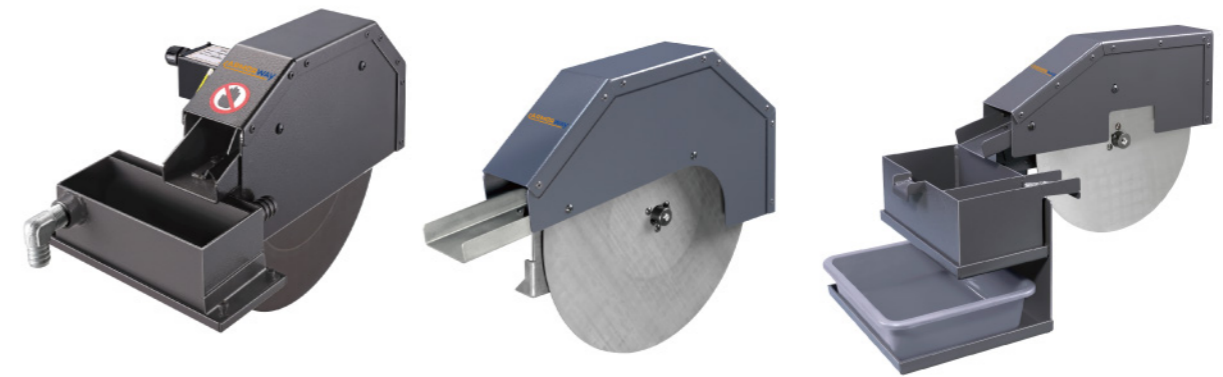


### Product Advantages

1. Applicable to various machine models for coolant and oil-water separation, extending the life of cutting fluids.
2. Full-cover dust shield that prevents dust and contamination.
3. Easy installation, high performance, and environmentally friendly.
4. CE certified.
5. Continuous development to improve filtration efficiency and extend machine life, meeting customer expectations.



## Disk-Type



### Features

- All-metal design for increased durability.
- Features a patented oil scraper, improving oil removal efficiency.
- Oil removal efficiency: 20 liters per hour.

## Steel mesh/steel belt -Type



### Features

- Suitable for small space tanks.
- Uses steel mesh/steel belts, with no consumables and easy to clean.
- Steel mesh/steel belt length can be customized according to customer requirements.
- Features a patented idle roller, effectively driving the continuous operation of the steel mesh/steel belt, enhancing oil removal efficiency.
- Oil removal efficiency: 20 liters per hour.